

Supply air nozzle VŠ-5

Application

Air supply nozzles VŠ-5 are applied in the supply of cold or warm air in rooms where long throw distances and low noise operation are required. By combining individual nozzles into a block, the throw distance is increased proportionally. There is a choice of several mounting methods.

Description

Supply nozzles VŠ-5 are adjustable. The air jet can be adjusted:

- manually, in all directions, within a $\pm 30^\circ$ range
- by means of an electric motor or thermostat element, in horizontal and vertical direction, within a $\pm 30^\circ$ range.

The nozzle setting depends on the supplied air temperature.

The supply nozzle is integrated in a housing, thus even with the largest size, 400, it does not project into the room by more than 45 mm (see dimension L2 as a function of the setting angle 0°).

Supply nozzles VŠ-5 are made of galvanised eloxal treated aluminium sheet. On customer's request, nozzles can be powder painted in any of the RAL scale colours.

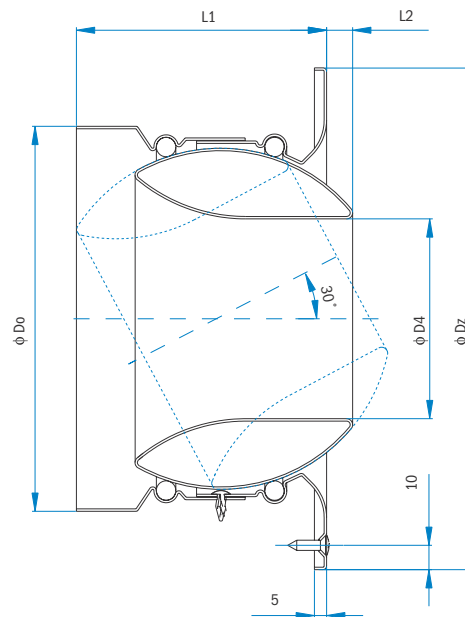
AI

RAL 9010



M

CD



Sizes and dimensions

L2* ... corresponds to the setting angle 0°

Size	ϕDo	ϕDz	$\phi D4$	L1	L2*	A_{ef} (m ²)	Weight (kg)
100	98	146	40	87	-5	0.0013	0.20
125	123	171	64	91	-1	0.0032	0.27
160	158	206	82	98	11	0.0053	0.3
200	198	252	108	108	19	0.0092	0.55
250	248	312	136	121	29	0.0145	0.77
315	313	377	174	145	35	0.0238	1.12
400	398	472	230	171	45	0.0415	1.64

VENTILATING GRILLES,
VENTILATING VALVES

CIRCULAR DIFFUSERS,
SQUARE DIFFUSERS

SWIRL DIFFUSERS,
VARIABLE SWIRL
DIFFUSERS

SLOT DIFFUSERS,
ROUND DUCT DIFFUSERS

AIR DISPLACEMENT
UNITS

SUPPLY AIR NOZZLES

EXTERNAL ELEMENTS

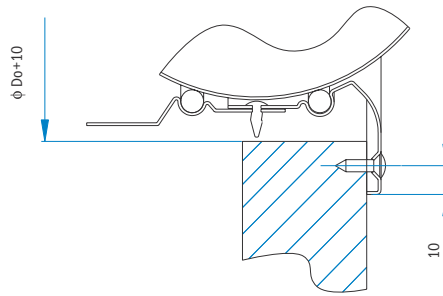
AIR FLOW
CONTROL UNITS

SOUND ATTENUATORS,
SOUND ATTENUATING
LOUVRES

Mounting methods:

• **Standalone nozzle (V)**

A nozzle without extensions is mounted by means of three bolts from its face. The mounting opening dimension is $\phi Do+10\text{mm}$.

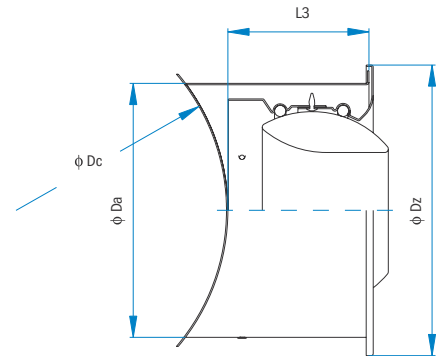
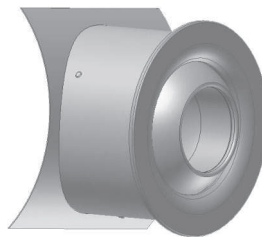


• **Mounting with extensions (designations D,K,E)**

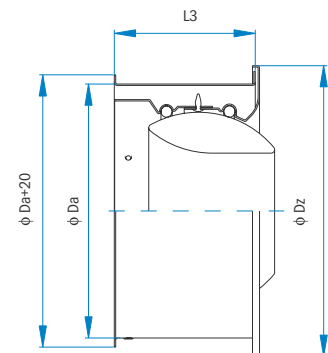
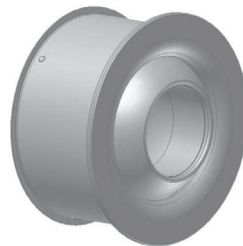
Visible nozzle mounting by means of an extension. The nozzle is supplied with the extension already installed. The installation technician mounts the extension to a round or rectangular duct by means of rivets or self-tapping screws. On customer's request, the extension can be powder painted in any of the RAL scale colours. The duct diameter ϕDc shall be specified in the order.

The extension is mounted separately. A standard dimension duct is attached to the extension connector.

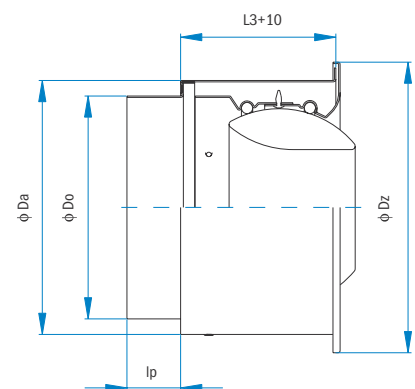
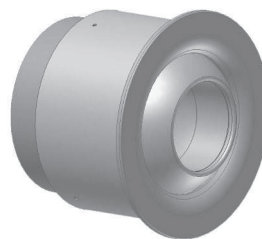
Mounting to a round duct (D)



Mounting to a rectangular duct (K)

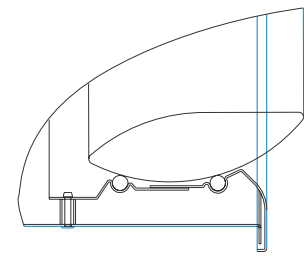
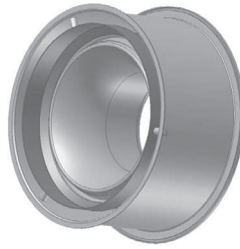


Mounting with a connector to a duct (E)



• **Mounting of a nozzle on the extension**

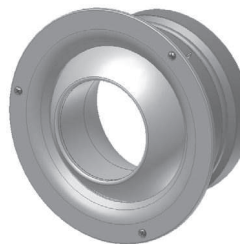
The nozzle is fixed into the extension on the side face, thus there are no bolts on its face side.



Size	ΦDo	ΦDz	ΦDa	ΦDa+20	L3	ΦDc min	lp
100	98	146	118	138	90	125	63
125	123	171	143	163	95	150	63
160	158	206	178	198	100	180	63
200	198	252	224	244	110	224	83
250	248	312	284	304	120	315	78
315	313	377	349	369	150	355	78
400	398	472	444	464	170	450	73

Adjustment methods:

- **Manual adjustment in all directions, within a ±30° (R)**

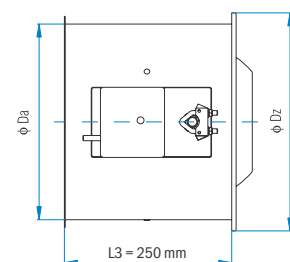
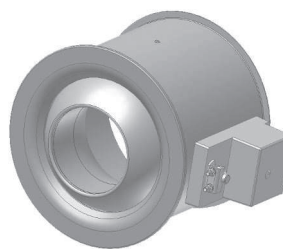


- **Electric motor adjustment, for standalone mounting**

- B4** motor Belimo NM 24A
- B5** motor Belimo NM 230A
- B6** motor Belimo NM 24A SR
- J4** motor Joventa DAS 1
- J5** motor Joventa DAS 2
- J6** motor Joventa DMS 1.1

Variants D, K and E available.

With all the variants, the L3 dimension equals 250 mm.



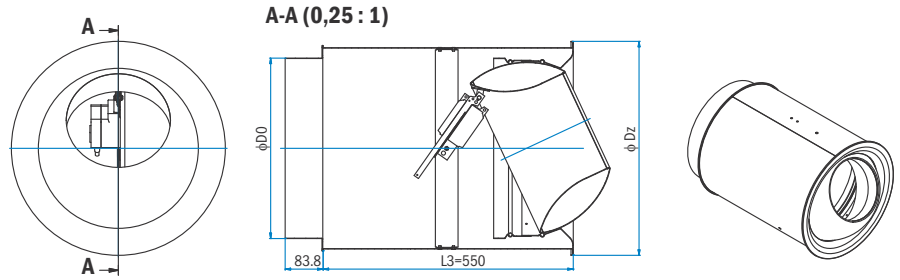
Adjustment methods:

• **Electric motor adjustment, internal drive**

- B1 LH** motor Belimo LH 24A 100
- B2 LH** motor Belimo LH 230A 100
- B3 LH** motor Belimo LH 24A SR
- B4 LH** motor Belimo LH 24A MP100

Variants D, K and E available.

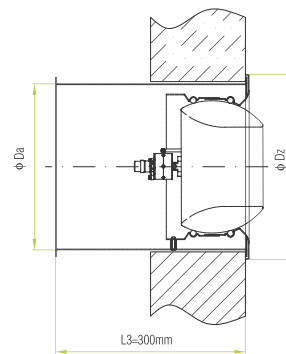
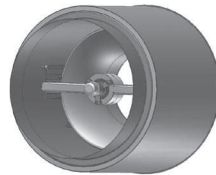
With all the variants, the L3 dimension equals 550 mm. Variant is available in following sizes: 160, 200, 250, 315 and 400.



• **Thermostatic regulation**

Available designs: D, K or E.

The dimension L3 is 300 mm and is the same for all sizes. The designs are compatible with the sizes 200, 250, 315 and 400.

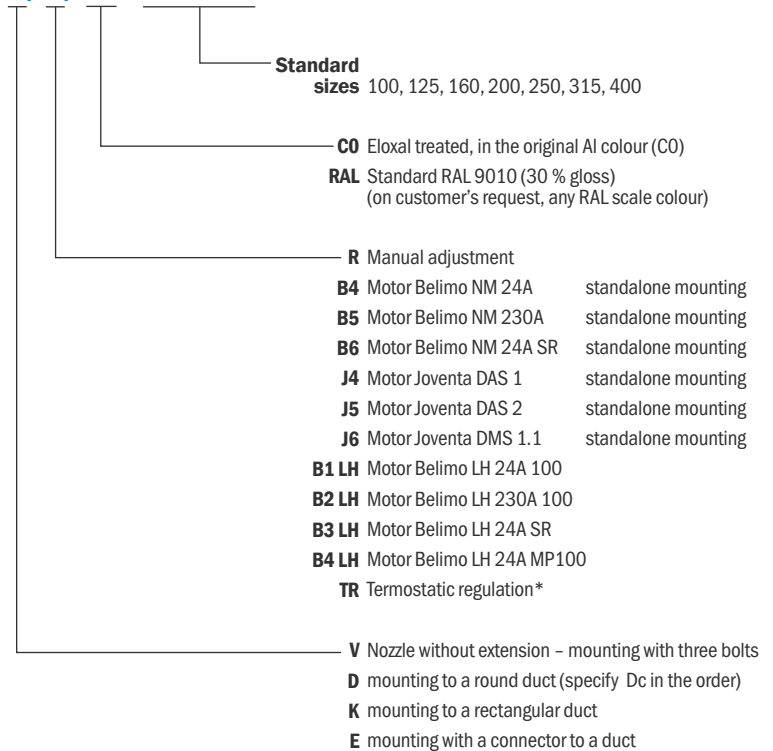


Advantages

- Automatic regulation using a thermostatic head
- Requires no motor or installation required for motor power supply and control

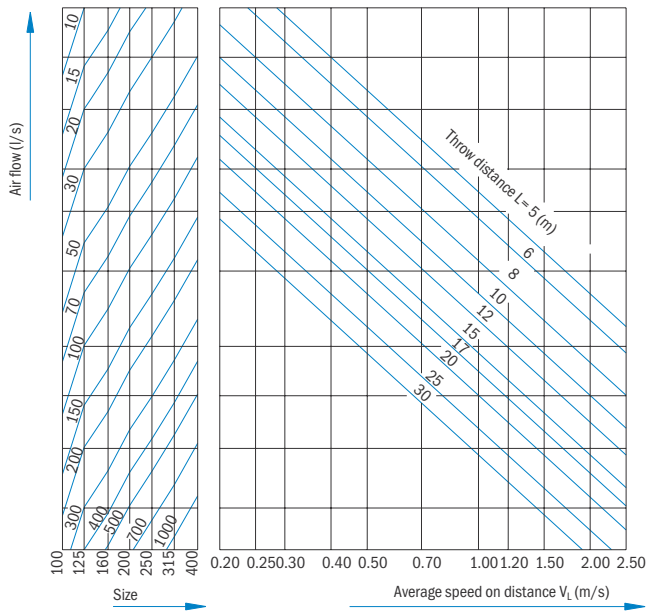
Ordering key

VŠ-5/D/R/C0 Size 160

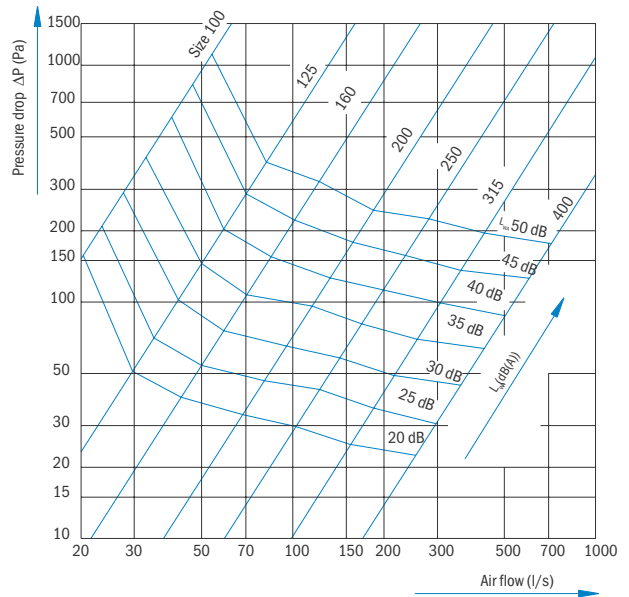


* Variant is available in following sizes: 200, 250, 315 and 400.

Air velocity in the air jet centre and throw distance



Pressure drops and noise levels



Air jet discharge angle

